

rolly2

Use:

The **rolly2** is a scaffolding used by professionals to work safely in heights. Maximum load spread over the floor: 150 kg. Maximum horizontal pressure at floor level: 45 kg

Specifications:

The **rolly2** is compliant with the norm "Échafaudage Roulant Préfabriqué de Faible Hauteur" (Low Height Prefabricated Rolling Scaffolding) (ERPFH - NF P 93-520) and with the decree dating from December 1st 2004 ((n°2004-924). It consists of a galvanized steel structure, adjustable stabilizers, an aluminum/wood floor and "Quick" safety rails. Access to the floor is done from the outside.

The "Quick" feature of the rolly2

The **rolly2** features "Quick" safety rails: they can be retracted into the floor. This feature allows to quickly lower the scaffolding's height to fit through doors for example. It is strictly forbidden to access the floor while it is in "Quick"

M.	Ref.	Description	Wght (kg)	Size (m)	Quantities	
①	12519	Full folding base	23,5	1,165 x 1,415 x 0,124	1	1
②	12517	Floor	10,3	1,563 x 0,510 x 0,185	1	1
③	12516	"Quick" safety rail	4,4	1,370 x 0,998 x 0,040	2	2
④	12527	3 rung ladder	3,1	0,900 x 0,695 x 0,070	•	2
⑤	12504	Diagonal brace	1,5	1,934 x 0,030 x 0,020	•	2
Total weight (kg)					42,6	51,8

Reference	Combinations	
	12532	12533
Work height (m)	2,9m	3,8m
Floor height (m)	0,9m	1,8m

Size (m)	rolly2 0,9m floor height		rolly2 1,8m floor height	
	"USE" setup	"Quick" setup	"USE" setup	"Quick" setup
Length (L)	2,35	1,56	2,35	1,56
Width (w.)	1,74	0,69	1,74	0,69
Height (H)	1,91	1,14	2,81	2,04

rolly2 Assembly steps

To assemble the **rolly2** with a floor height of 0.9., skip steps 2 and 3.

- Unfold the base and lock the wheels.
- Install the ladders and pin them.
- Cross the braces and lock them.
- Install the floor on the structure.
- Install the safety rails.
- Lock the safety rails.
- Deploy the stabilizers to the ground.
- Access the floor and set all the safety rails chains.

Disassembly

Disassembly is done by following the reverse order of the assembly.

Trolley setup

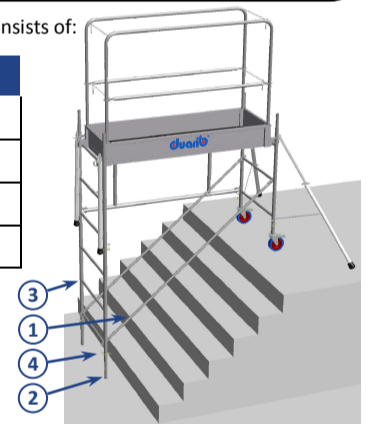


In this configuration, it is possible to move the scaffolding and some hardware.

Difference in level setup

The kit to assemble on a difference in level (12509) consists of:

M.	Ref.	Description	Wght (kg)	Q.
①	12504	Brace	1,5	2
②	12510	Diff. in level rod	0,65	2
③	12511	Diff. in level ladder	3,7	1
④	12514	Clip pin	0,04	4



Max floor height: 1.8m (from the bottom of the difference in level)

This assembly is out of the scope of norm ERPFH NF P 93-520.

Using the "Quick" feature

- Hook the safety rails chains to free the way.
- Pull the locks on the floor and guide the safety rail while it descends.
- In "Quick" setup, the locks are set.

In "Quick" setup, the safety rails feature 2 locking settings.
The high lock has to be used when the floor is set at a maximum height of 1.8m.
The low lock has to be used when the floor is set at a minimum height of 0.9m.

High lock
= Floor on top

Low lock
= Floor at the bottom

Safety measures

- The stabilizers are not deployed.
- The safety rails are not set in operating position
- The safety rails chains are not set.
- The wheels are not locked.

Do not access nor work on the scaffolding.



- It is mandatory to have the Rolly2 assembled and disassembled by a person who has had some training to assemble/disassemble scaffoldings.
- Use of Personal Protective Equipment (PPR) is mandatory. The operators must wear work gloves, safety shoes and a helmet.
- It is mandatory to have this user guide, to follow its instructions while assembling, disassembling and using the scaffolding.
- It is mandatory to periodically check the hardware according to the current legislation.
- It is mandatory to only use Duarib-made parts referenced in this user guide.
- It is forbidden to set up a ladder or any other accessory on the floor to extend the work height.
- It is forbidden to move the scaffolding while an operator is using it.

- The stabilizers are deployed.
- The safety rails are set in operating position.
- The safety rails chains are set.
- The wheels are locked.



The scaffolding can be operated.

